



Four Way
Comfort For
Everyone

3kW ~ 17kW
(cooling and heating)



Ideal for offices, coffee shops,
bars and restaurants.

About LG Electronics Air Conditioning and Energy Solutions

LG is committed to providing reliable, innovative and technically advanced air conditioning systems, heat pumps, ventilation and smart controls offering building users and occupiers a completely efficient and comfortable environment.

LG Inverter technology cuts power consumption

LG has taken the initiative to develop new, highly efficient inverter technology. LG's latest inverter compressor provides a reduction in power consumption usage (up to 40%) and operational costs. The cassette units from LG are designed for commercial places, such as offices and retail and offer effective comfort, greater endurance and exceptional seasonal energy efficiency due to the new inverter technology.

CT 3.0kW ~ 8.0kW (heating)

CT 2.5kW ~ 7.1kW (cooling)

UT 8.0kW ~ 16.6kW (heating)

UT 9.0kW ~ 16.9kW (cooling)

LG cassette units are energy efficient, low noise, provide precise climate control and are easy to install.

Cassette units from LG offer

Wide operation range, BLDC* inverter compressor, wide jet air flow, independent vane operation, supreme energy efficiency, high operation reliability, powerful performance, comfortable surrounds and convenient functions.

*Brushless Direct Current Model





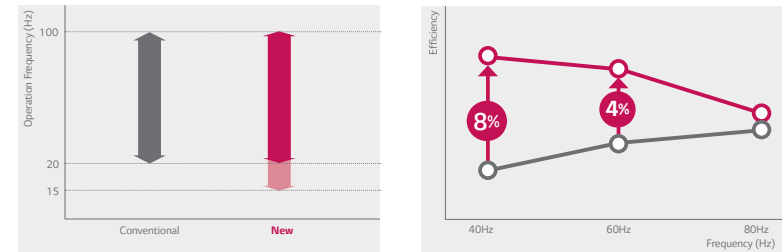
Smart Load Control

By automatically changing discharge air temperature by controlling the refrigerant temperature (based on the gap between the indoor temperature and the target indoor temperature) makes for more comfortable indoor air, and reduces energy consumption.

Supreme Energy Efficiency

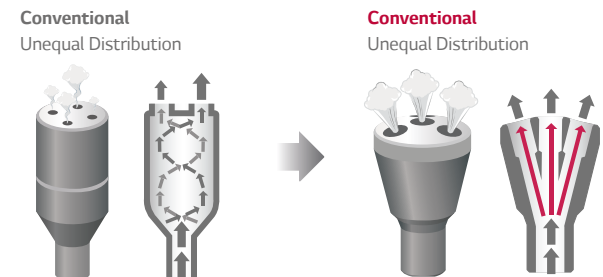
Powerful BLDC Compressor

Single split air conditioning systems are equipped with BLDC compressors that use strong neodymium magnets. This improves the efficiency compared to the standard AC type compressors and optimises seasonal efficiency.

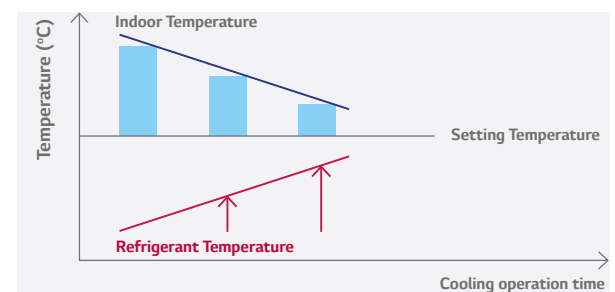


Optimised Heat Exchanger Path

By adapting to a 3 way distributor, refrigerant can be distributed more equally improving efficiency by up to 5%.



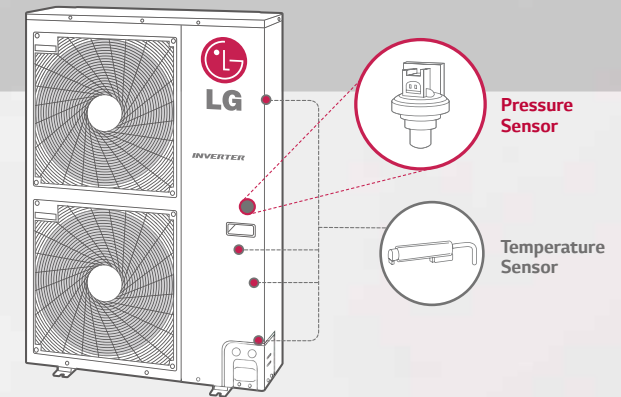
Comfortable Indoor Air



Temperature and Pressure Control

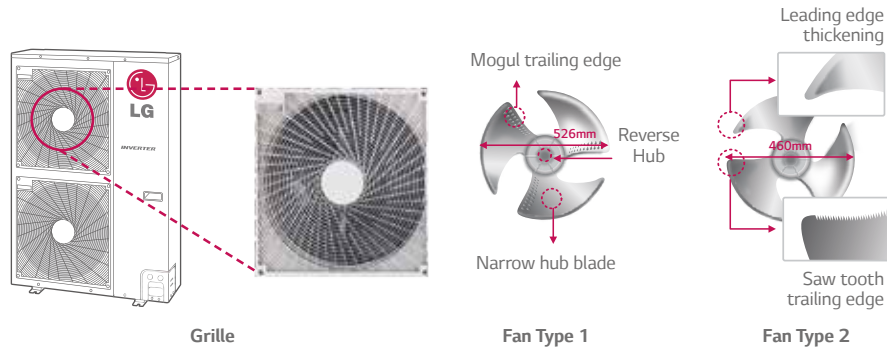
Typically split systems estimate pressure to operate the compressor via a single sensor, which measures refrigerant internal and external temperature.

LG's single and multi split series adds the temperature and pressure control sensor. This directly analyses and controls refrigerant pressure and temperature, boosting compressor performance in terms of accuracy and efficiency, leading to quicker more effective heating and cooling, ensuring stable operation and extends the compressors operational life span.



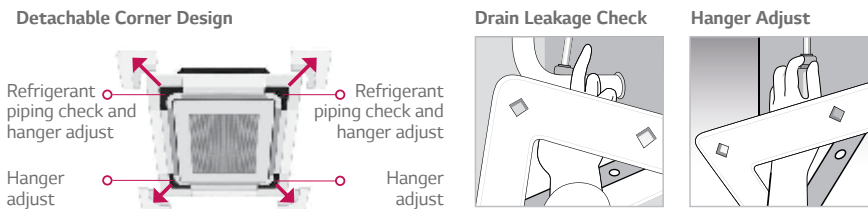
Improved Grille and Fan

The newly shaped grille on the outdoor unit helps to disperse air more efficiently improving heat exchange and reduces noise levels. The improved axial fan with thick front edges provides high efficiency, lower noise and further improves air flow rate.

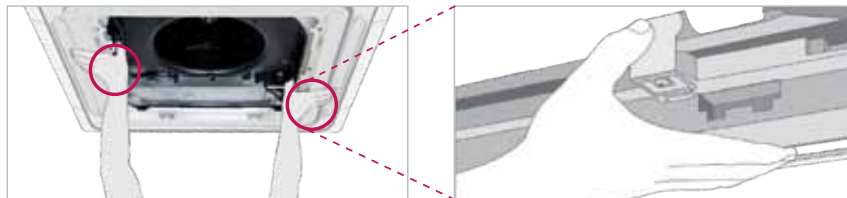


Convenient Panel Installation

LG cassette units are designed with detachable corners making it easy to adjust the hanger during installation and for ease of access for future maintenance and service. In addition the panels use a button type connector for quick install.

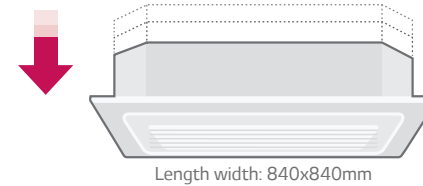


It is easy to install the panel to the body, using the button type panel design.



Compact Size

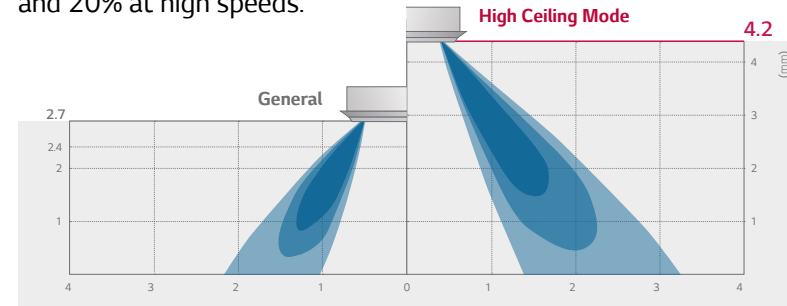
The cassette units are slim with compact dimensions enabling installations in various spaces.



Standard Inverter	Height
7.1-8.0kW	204mm
100kW	246mm
12.5-15kW	288mm

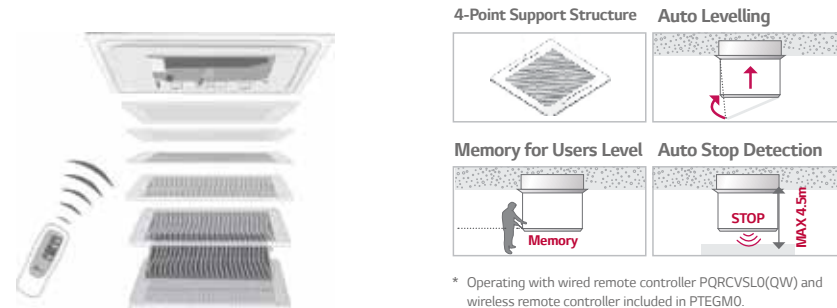
High Ceiling Mode

The BLDC fan motor is more efficient than a conventional AC motor offering an additional 40% energy savings at low speeds and 20% at high speeds.



Auto Elevation Grille

Easy filter cleaning with elevation grille*



*Except CT09, CT12, CT18

* Operating with wired remote controller PQRVSL0(QW) and wireless remote controller included in PTEGMO.
 * Except CT09 NR2 / CT12 NR2 / CT18 NQ2
 * Applied to cassette panel PT-UMC1



Features and Benefits

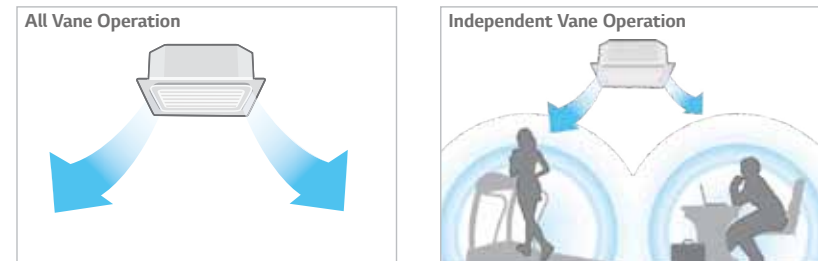
Wide Jet Air Flow

Improved vanes reduce the curved area and provides even distribution.



Independent Vane Operation

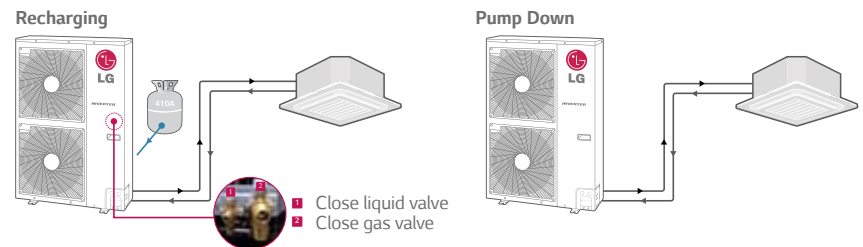
This feature uses separate motors making it possible to control all four vanes independently.



* Wired remote controller PQRCSLO(QW) applied

Forced Cooling Operation

The forced cooling operation allows refrigerant to be recharged or pumped down, regardless of the indoor temperature. More importantly this function can be used when indoor units are being moved or repaired.



Product Specifications

Model Single Phase, Standard Inverter		Indoor Unit		CT09.NR2	CT12.NR2	CT18.NQ2	CT24.NP2	UT30.NP2	UT36.NN2	UT42.NM2	UT48.NM2	UT60.NM2
Fascia Panel				PT-UQC	PT-UQC	PT-UQC	PT-UMC1	PT-UMC1	PT-UMC1	PT-UMC1	PT-UMC1	PT-UMC1
Capacity	Cooling	Min/Nom/Max	kW	1.0 - 2.5 - 2.75	1.36 - 3.4 - 3.74	2.0 - 4.7 - 5.50	2.84 - 7.1 - 7.81	3.20 - 8.0 - 8.8	4.0 - 10.0 - 11.0	5.0 - 12.5 - 13.8	5.48 - 13.9 - 15.7	5.92 - 14.6 - 16.3
	Heating	Min/Nom/Max	kW	1.20 - 3.0 - 3.3	1.6 - 4.0 - 4.4	2.2 - 5.5 - 6.05	3.20 - 8.0 - 8.8	3.6 - 9.0 - 9.9	4.4 - 11.0 - 12.1	5.0 - 14.0 - 15.4	6.4 - 15.4 - 17.6	6.8 - 16.9 - 18.7
Power Input	Cooling	Nom	kW	0.75	1.06	1.46	1.92	2.49	2.82	3.89	4.62	5.40
	Heating	Nom	kW	0.81	1.10	1.52	2.21	2.72	3.09	3.88	4.51	5.5
Running Current	Cooling/Heating	Nom	A	3.26 / 3.52	4.61 / 4.78	6.3 / 6.6	8.3 / 9.6	10.8 / 11.8	12.3 / 13.4	16.9 / 16.9	20.1 / 19.6	23.5 / 23.9
Power Supply			Ø/V/Hz	1 / 220-240 / 50								
EER				3.33	3.21	3.22	3.3	3.21	3.55	3.21	3.01	2.7
COP				3.70	3.64	3.62	3.62	3.31	3.56	3.61	3.41	3.07
SEER				5.11	5.61	4.81	6.11	6.11	5.41	-	-	-
SCOP				3.81	3.91	3.81	3.81			-	-	-
PdesignH (@ -10°C)			kW	2.8	3	4	6.5	5.8	7.6	-	-	-
Energy Label	Cooling/Heating			A / A	A+ / A	B / A	A++ / A	A++ / A	A / A	-	-	-
Annual Energy Consumption	Cooling/Heating		kWh	172 / 1,032	213 / 1,077	343 / 1,474	407 / 2,395	459 / 2,505	648 / 2,800	-	-	-
Sound Level		High/Medium/Low	dba+3	36 / 33 / 30	38 / 35 / 32	41 / 39 / 36	38 / 36 / 34	40 / 37 / 35	43 / 40 / 37	46 / 44 / 43	49 / 47 / 45	
Dimension	Body	W x H x D	mm	570x214x570		570x256x570	840x204x840		840x246x840	840x288x840		
	Fascia Panel	W x H x D	mm	700 x 22 x 700			950x25x950					
Net Weight	Body		kg	14		15.5	20.5		22.3	24.6		
	Fascia Panel		kg	3			5					
Refrigerant type				R410A								

Model				UU09W.ULD	UU12W.ULD	UU18W.UE2	UU24W U42	UU30W.U42	UU36W U02	UU42W U32	UU48W U32	UU60W U32
Compressor Type				Rotary			Twin Rotary					
Sound Pressure	Cooling / Heating	Nom	dBA	48 / 47	47 / 48	48 / 51	48/52		53/54	52/54		
Dimension			mm	770x540x245		870x655x320	950x834x330		950x1,170x330	950x1,380x330		
Net Weight			kg	32		46	60		81	96		
Refrigerant	Type		g(oz)	R410A								
	Charge at		7.5mg	1,000	1,400	2,000		2,800	3,400			
	Additional Charge (after 7.5m)		g/m	20	20	40		40				
Piping Length Total			m	15	40	50		50	75			
Piping Elevation Difference	IDU-ODU	Max	m	10	30	30		30				
Piping Connections	Liquid	OD (Outside)	mm	6.35 (1/4)			9.52 (3/8)					
	Gas	OD (Outside)	mm	9.52 (3/8)		12.7 (1/2)	15.88 (5/8)					

Three phase models available

Note: 1. Due to our policy of innovation some specifications may be changed without notification. 2. Capacities are based on the following conditions: **Cooling**:- indoor temperature 27°C DB / 19°C WB • Cooling: - outdoor temperature 35°C DB / 24°C WB. **Heating**:- indoor temperature 20°C DB / 15°C WB • Heating:- outdoor temperature 7°C DB / 6°C WB. LG cassette units single split as above. LG cassette units can be applied as multi split and synchro operation. Speak to your LG representative for details.

Air Conditioner Control System



Accessories

Optional Accessories



Ceiling Cassette Collar



Dry Contact



Remote Sensor



Bluetooth Module



Ventilation Kit

Individual Controller



Wireless Remote Controller



Simple Wired Remote Controller



Standard Wired Remote Controller



Premium Wired Remote Controller



Wi-Fi Controller

Centralised Controller



AC EZ



AC Smart Premium / AC Smart IV

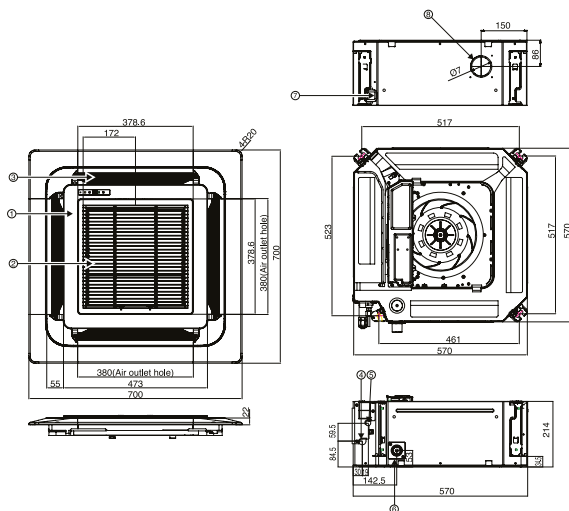
Controller Operation Includes:

- On/Off
- Standard cooling operation
- Powerful cooling operation
- Heating operation
- Dehumidification operation
- Fan only operation
- Temperature setting
- Additional function settings
- Timer and schedule functions

CT09 NR2 / CT12 NR2

(Unit mm)

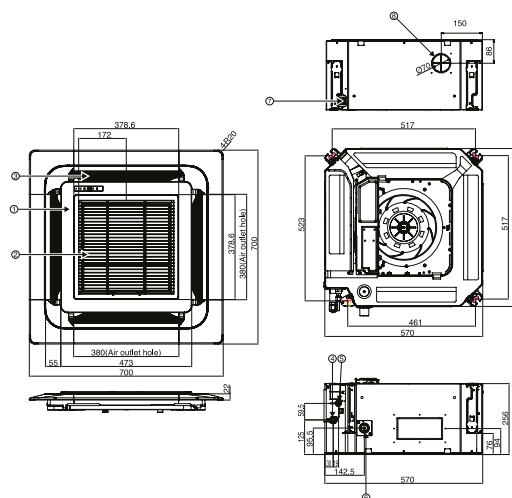
Part Name	
1	Decoration panel (PT-UQC)
2	Air suction grille
3	Air discharge grille
4	Gas pipe connection
5	Liquid pipe connection
6	Drain pipe connection
7	Power supply connection
8	Fresh air connection (Ø70)



CT18 NQ2

(Unit mm)

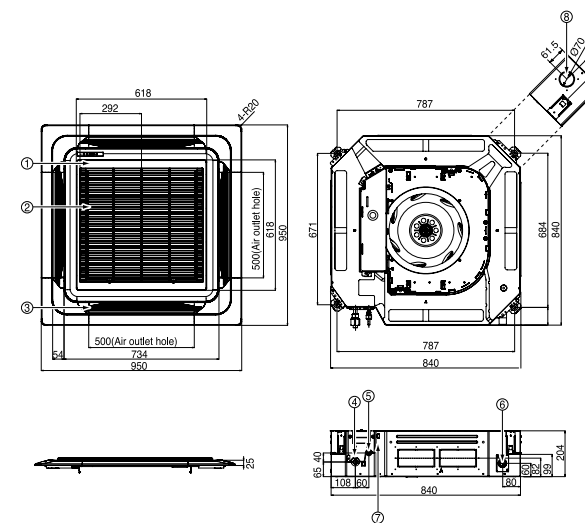
Part Name	
1	Decoration panel (PT-UQC)
2	Air suction grille
3	Air discharge grille
4	Gas pipe connection
5	Liquid pipe connection
6	Drain pipe connection
7	Power supply connection
8	Fresh air connection (Ø70)



CT24 NP2 / UT30 NP2

(Unit mm)

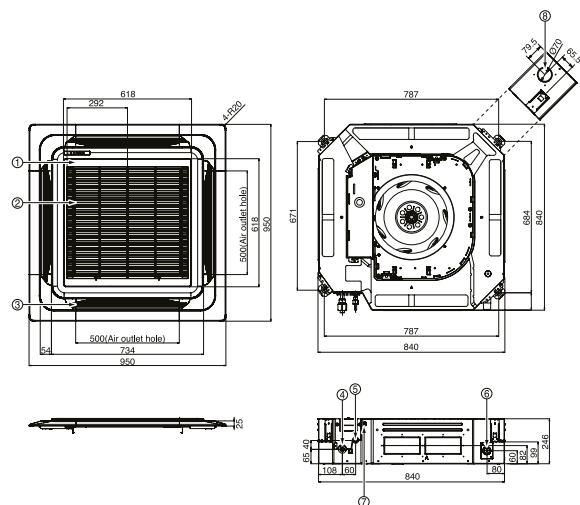
Part Name	
1	Decoration panel (PT-UMC1)
2	Air suction grille
3	Air discharge grille
4	Gas pipe connection
5	Liquid pipe connection
6	Drain pipe connection
7	Power supply connection
8	Fresh air connection (Ø70)



UT36 NN2

(Unit mm)

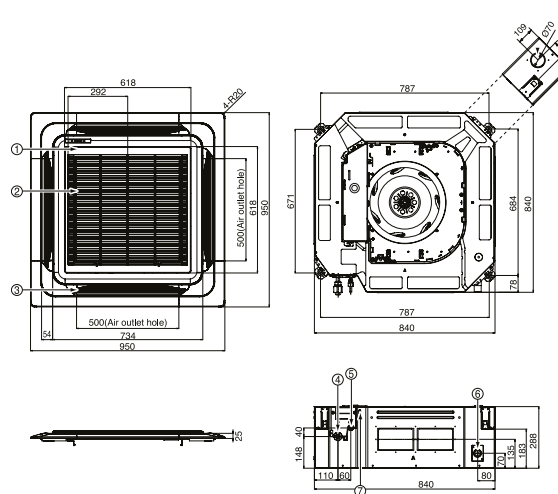
Part Name	
1	Decoration panel (PT-UMC1)
2	Air suction grille
3	Air discharge grille
4	Gas pipe connection
5	Liquid pipe connection
6	Drain pipe connection
7	Power supply connection
8	Fresh air connection (Ø70)



UT48 NM2 / UT60 NM2

(Unit mm)

Part Name	
1	Decoration panel (PT-UMC1)
2	Air suction grille
3	Air discharge grille
4	Gas pipe connection
5	Liquid pipe connection
6	Drain pipe connection
7	Power supply connection
8	Fresh air connection (Ø70)



Ever since manufacturing Korea's first air conditioner unit in 1968, LG has remained at the forefront of HVAC innovation. For eight of the last 10 years, LG has been the world's top selling manufacturer of residential air conditioning solutions. And in 2008, LG became the first company to sell a cumulative total of more than 100 million air conditioners.

The LG Energy Lab

A ground breaking energy project, the Energy Lab is a testing facility for LG's new air conditioning and heating products in real life conditions, in order to future-proof energy efficiency and reliability for the entire product life cycle. LG chose the area of Valenciennes, Northern France, to site the Energy Lab project because of the harsh weather conditions in the region, low temperatures and high humidity. The LG Energy Lab is equipped with complete monitoring and control systems and the performance of all products are tracked by teams of R&D engineers based in France and Korea.



LG After-sales support

Everyone can expect a high level of service from LG, from the air conditioning installer through to the end user. The confidence LG has in its products is reflected in the company's warranty package.

- 3 years for all parts and a contribution towards labour
- Optional 5 year warranty on parts (subject to terms)
- Free technical training
- SMS or email fault code diagnostics
- Dedicated spare parts division
- TM44 CIBSE Energy inspections.

LG Training

Two training academies positioned in the South and North of England provides practical hands-on experience of the LG product range as well as theory in the purpose built classroom. LG can also visit offices offering CIBSE accredited CPD seminars on a range of subjects.





LG Electronics Air Conditioning & Energy Solutions

Email: uk.aircon@lge.com

Web: <http://partner.lge.com.uk>

Copyright © 2015 LG Electronics. All rights reserved.

© LG Electronics Inc. Printed in the UK 2015

Information on the complete range of LG Air Conditioning commercial products is available on our website.

LG Electronics UK Limited have been working closely with their supplier's to reduce their environmental impact on the world.

Products in this brochure contain Fluorinated Greenhouse Gases (R410A)



@LGUK_B2B



[linkedin.com/LGElectronicsUKBusinessSolutions](https://www.linkedin.com/LGElectronicsUKBusinessSolutions)



LG Electronics participates in the Eurovent Certification Programme for Variable Refrigerant Flow (AC); the certified models are listed in the Eurovent Directory.

Distributed by