



MATT DESIGN: OPAQUE



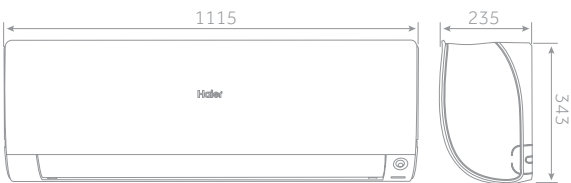
AS25 - AS35 - AS42



AS50

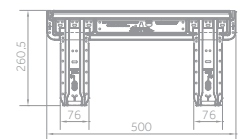


AS71

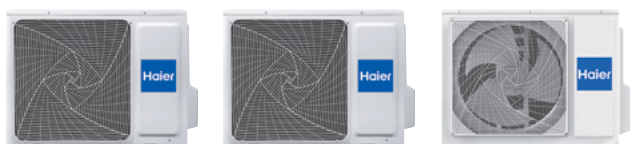
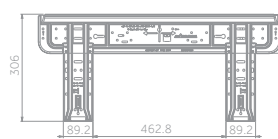


MOUNTING DIMENSIONS

AS25-AS35-AS42-AS50



AS71

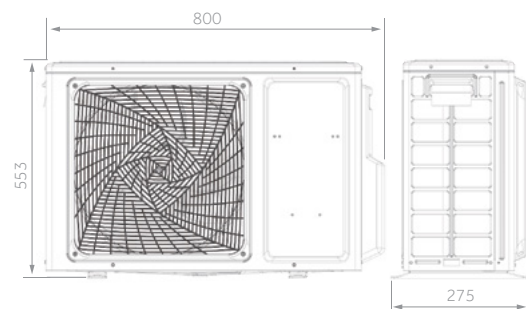


2.5 kW - 3.5 kW - 4.2 kW

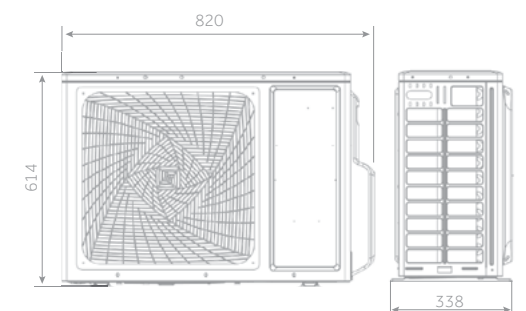
5.0 kW

7.1 kW

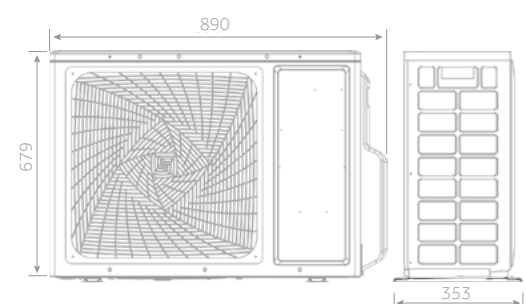
1U25 - 1U35- 1U42



1U50



1U71



NEW Residential MonoSplit Inverter FLEXIS PLUS

Haier

MONOSPLIT RESIDENTIAL



2.5 kW

3.5 kW

4.2 kW

5.0 kW

7.1 kW



UVC Sterilisation



Steri-Clean



Self-Hygiene



Silence



Eco Sensor



Wi-Fi



3D



Easy Installation



Standard YR-HQ

- UVC Sterilisation
- 56°C Steri-clean
- Self-Hygiene
- Low noise level
- Dual motion sensor
- Wi-Fi control with new hOn app
- 3D airflow: continuous movement of horizontal and vertical deflectors
- Easy installation

INDOOR UNIT Black	Model Black	AS25S2SF1FA-MB3	AS35S2SF1FA-MB3	AS42S2SF1FA-MB3	AS50S2SF1FA-MB3	AS71S2SF1FA-MB3	
INDOOR UNIT White	Model White	AS25S2SF1FA-MW3	AS35S2SF1FA-MW3	AS42S2SF1FA-MW3	AS50S2SF1FA-MW3	AS71S2SF1FA-MW3	
OUTDOOR UNIT	Model	1U25S2SM1FA	1U35S2SM1FA	1U42S2SM1FA	1U50S2SJ2FA	1U71S2SR2FA	
Performance data							
Output power - COOLING	nom (min-max) kW	2.6 (0.8 - 3.2)	3.5 (1.0 - 4.0)	4.2 (1.2 - 4.8)	5.2 (1.4 - 6.0)	7.0 (2.2 - 7.5)	
Output power - HEATING	nom (min-max) kW	3.2 (0.8 - 4.2)	4.2 (1.0 - 5.2)	4.4 (1.3 - 5.8)	6.0 (1.4 - 6.9)	8.0 (2.4 - 8.5)	
Power output - HEATING -7°C	nom (min-max) kW	2.12	2.47	3.18	4.07	4.95	
Absorbed power - COOLING	nom (min-max) kW	0.65 (0.2 - 1.5)	0.88 (0.3 - 1.5)	1.23 (0.4 - 1.7)	1.4 (0.5 - 2.0)	2.17 (0.7 - 2.5)	
Absorbed power - HEATING	nom (min-max) kW	0.8 (0.3 - 1.6)	1.1 (0.5 - 1.6)	1.18 (0.52 - 2.2)	1.5 (0.52 - 2.35)	2.16 (0.7 - 2.9)	
Energy class	EER	w/w	4.0	4.0	3.41	3.7	3.2
	COP	w/w	4.0	3.8	3.7	4.0	3.7
COOLING Pdesign	35 °C kW	2.6	3.5	4.2	5.2	7.0	
HEATING Pdesign	(-10 °C) kW	2.4	2.8	3.6	4.6	5.6	
Energy class	SEER		8.5 (A+++)	8.5 (A+++)	7.0 (A++)	7.2 (A++)	7.1 (A++)
	SCOP		4.6 (A++)	4.6 (A++)	4.0 (A+)	4.6 (A++)	4.0 (A+)
Annual Energy Consumption - COOLING	kWh/a	107	144	210	253	345	
Annual Energy Consumption - HEATING	kWh/a	731	854	1260	1401	1959	
Indoor Unit							
Power supply		Ph/V/Hz	1/220-240/50	1/220-240/50	1/220-240/50	1/220-240/50	
Treated air volume	H	m³/h	600	650	750	900	1100
Dehumidification		L/h	1.2	1.6	1.8	2.0	2.8
High sound power - COOLING		dB	53	55	58	57	60
High sound power - HEATING		dB	53	55	58	57	60
Sound pressure - COOLING		dB(A)	38/32/25/16	39/33/26/17	42/36/30/23	45/41/37/28	47/43/37/33
Sound pressure - HEATING		dB(A)	38/32/25/19	39/33/26/20	42/36/30/23	45/41/37/28	47/43/37/33
Net dimensions	WxDxH	Mm	856x197x300	856x197x300	856x197x300	999x225x323	1115x235x343
Net weight		Kg	9.5	9.5	9.5	12	15.2
Outdoor Unit							
Power supply		Ph/V/Hz	1/220-240/50	1/220-240/50	1/220-240/50	1/220-240/50	1/220-240/50
Sound power	H	dB	59	61	63	63	70
Sound pressure	H	dB(A)	47	48	50	51	57
Absorbed current	Max	A	7.2	7.2	9.8	10.9	13.0
Net dimensions	WxDxH	Mm	800x275x553	800x275x553	800x275x553	820x338x614	890x353x697
Net weight		Kg	29	31.5	31.5	37.8	45
Compressor type			Inverter rotary			Inverter twin rotary	
Compressor brand			Panasonic	Highly		Mitsubishi	
Installation data							
Refrigerant			R32	R32	R32	R32	R32
Liquid pipe	∅	Mm	6.35	6.35	6.35	6.35	9.52
Gas pipe	∅	Mm	9.52	9.52	9.52	12.7	15.88
Standard pipe length without refrigerant charge		M	7	7	7	7	7
Maximum pipe length		M	20	20	20	25	50
Maximum IU - OU elevation		M	10	10	10	15	30
Refrigerant charge in the factory		Kg	0.65	0.94	0.94	0.95	1.30
CO2 equivalent		tCO2EQ	0.44	0.63	0.63	0.64	0.88
Additional charge ref. over std length		g/m	20	20	20	20	45
Operating limits - COOLING	min-max	°C	21-35°C (in) / -10-43°C (out)				
Operating limits - HEATING	min-max	°C	10-27°C (in) / -15-24°C (out)				