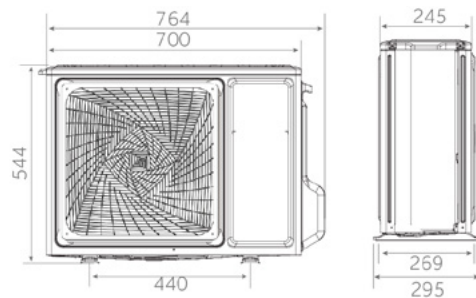




AS25 - AS35



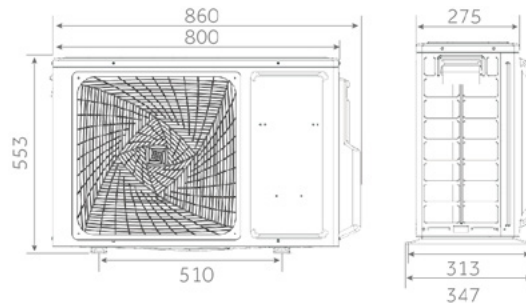
1U25 - 1U35



AS50



1U50



2,5 kW

3,5 kW

5,0 kW

# NEW Residential MonoSplit Inverter PEARL

# Haier

MONOSPLIT RESIDENTIAL

2.5 kW

3.5 kW

5.0 kW



Self-Clean



56°C Steri-Clean



UVC Sterilisation



Coanda Plus Airflow



Strong Airflow



Silence



Easy installation



Wi-Fi



Standard YR-HE

- Self-Clean
- 56°C Steri-Clean
- UVC Sterilisation
- Coanda Plus Airflow

- Strong Airflow
- Low noise level
- Easy installation
- Wi-Fi control with new hOn app

INDOOR UNIT	Model		AS25PBAHRA	AS35PBAHRA	AS50PDAHRA
OUTDOOR UNIT	Model		1U25YEGFRA	1U35YEGFRA	1U50MEGFRA
<b>Performance data</b>					
Output power - COOLING	nom (min-max)	kW	2.6 (0.8 - 3.0)	3.2 (0.8 - 3.6)	5.0 (1.3 - 5.8)
Output power - HEATING	nom (min-max)	kW	2.8 (0.8 - 3.2)	3.4 (0.8 - 4.2)	5.2 (1.4 - 6.0)
Absorbed power - COOLING	nom (min-max)	kW	0.80 (0.3 - 1.2)	0.99 (0.3 - 1.6)	1.55 (0.4 - 2.0)
Absorbed power - HEATING	nom (min-max)	kW	0.75 (0.3 - 1.4)	0.92 (0.3 - 1.6)	1.40 (0.52 - 2.5)
Energy class	EER	w/w	3.23	3.23	3.23
	COP	w/w	3.71	3.71	3.71
COOLING Pdesign	35 °C	kW	2.60	3.20	5.00
HEATING Pdesign	(-10 °C)	kW	2.40	2.80	4.60
Energy class	SEER		6.1 (A++)	6.1 (A++)	6.1 (A++)
	SCOP		5.1 (A+)	5.1 (A+)	5.1 (A+)
Annual Energy Consumption - COOLING		kWh/a	149	184	287
Annual Energy Consumption - HEATING		kWh/a	840	980	1610
<b>Indoor Unit</b>					
Power supply		Ph/V/Hz	1/220-240/50	1/220-240/50	1/220-240/50
Treated air volume	H	m <sup>3</sup> /h	550	600	900
Dehumidification		L/h	1.0	1.3	2.0
High sound power - COOLING		dB	54	56	57
High sound power - HEATING		dB	54	56	57
Sound pressure - COOLING		dB(A)	37/32/28/18	37/33/29/19	44/40/35/28
Sound pressure - HEATING		dB(A)	37/32/28/18	37/33/29/19	44/40/35/28
Net dimensions	WxDxH	Mm	805x200x290	805x200x290	975x220x320
Net weight		Kg	8	8	11.6
<b>Outdoor Unit</b>					
Power supply		Ph/V/Hz	1/220-240/50	1/220-240/50	1/220-240/50
Sound power	H	dB	54	56	57
Sound pressure	H	dB(A)	54	56	57
Absorbed current	Max	A	6.2	7.1	11.3
Net dimensions	WxDxH	Mm	700x245x544	700x245x544	800x275x553
Net weight		Kg	22.8	23.5	32.7
Compressor type				Inverter rotary	
Compressor brand				Highly	
<b>Installation data</b>					
Refrigerant			R32	R32	R32
Liquid pipe	Ø	Mm	6.35	6.35	6.35
Gas pipe	Ø	Mm	9.52	9.52	12.7
Standard pipe length without refrigerant charge		M	5	5	5
Maximum pipe length		M	20	20	25
Maximum IU - OU elevation		M	10	10	15
Refrigerant charge in the factory		Kg	0.52	0.53	0.90
CO2 equivalent		tCO2EQ	0.35	0.36	0.61
Additional charge ref. over std length		g/m	20	20	25
Operating limits - COOLING	min-max	°C	21-35°C (in) / -10-43°C (out)		
Operating limits - HEATING	min-max	°C	10-27°C (in) / -15-24°C (out)		