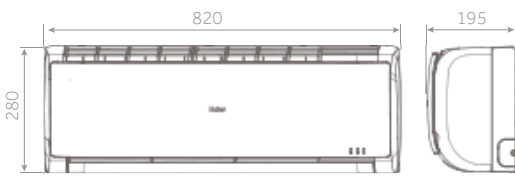
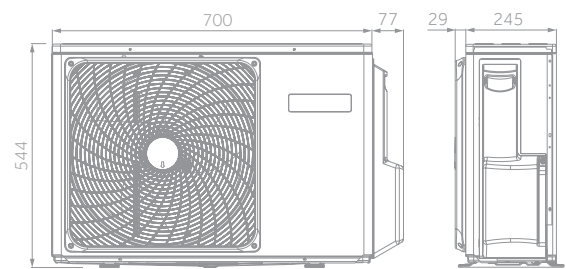




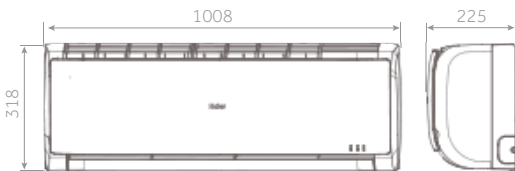
AS25 - AS35



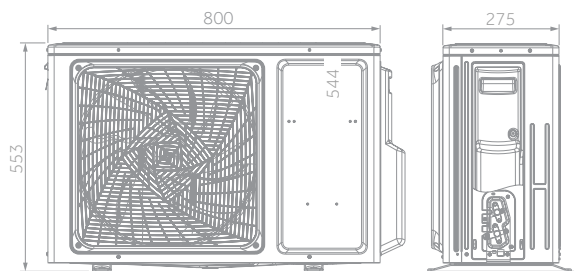
1U25



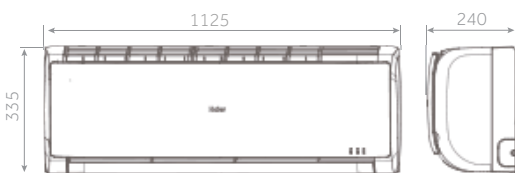
AS50



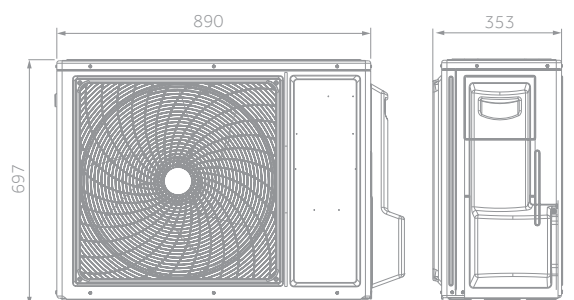
1U35 - 1U50



AS68



1U68



2.5 kW - 3.5 kW

5.0 kW

6.8 kW

NEW Residential MonoSplit Inverter TUNDRA PLUS

Haier

MONOSPLIT RESIDENTIAL



- 2.5 kW
- 3.5 kW
- 5.0 kW
- 6.8 kW



Silence



Intelligent Air



Wi-Fi



Easy installation



Self-Clean



Comfortable sleep



Standard YR-HE

- Low noise level
- Intelligent Air: Automatically directs deflectors for a better distribution of airflow according to the mode you have set
- Wi-Fi control with new hOn app
- Easy installation
- Self-Clean
- Sleep mode

INDOOR UNIT	Model		AS25TADHRA-2	AS35TADHRA-2	AS50TDDHRA-CLC	AS68TEBHRA-CLC
OUTDOOR UNIT	Model		1U25YEEFRA	1U35MEEFRA	1U50MEGFRA	1U68REEFRA
Performance data						
Output power - COOLING	nom (min-max)	kW	2.6 (0.8 - 3.4)	3.6 (1.0 - 4.0)	5.0 (1.3 - 5.8)	7.0 (2.2 - 8.5)
Output power - HEATING	nom (min-max)	kW	2.9 (1.0 - 3.8)	3.7 (1.1 - 4.6)	5.2 (1.4 - 6.0)	8.1 (2.4 - 10.0)
Absorbed power - COOLING	nom (min-max)	kW	0.8 (0.3 - 1.2)	1.1 (0.3 - 1.5)	1.5 (0.4 - 2.0)	2.2 (0.7 - 2.9)
Absorbed power - HEATING	nom (min-max)	kW	0.8 (0.3 - 1.4)	1.0 (0.4 - 1.5)	1.4 (0.5 - 2.5)	2.2 (0.7 - 2.9)
Energy class	EER	w/w	3.23	3.23	3.41	3.23
	COP	w/w	3.71	3.71	3.71	3.71
COOLING Pdesign	35 °C	kW	2.6	3.6	5.0	7.0
HEATING Pdesign	(-10 °C)	kW	2.4	3.2	4.6	5.6
Energy class	SEER		6.2 (A++)	6.4 (A++)	6.1 (A++)	7.1 (A++)
	SCOP		4.1 (A+)	4.1 (A+)	4.0 (A+)	4.0 (A+)
Annual Energy Consumption - COOLING		kWh/a	147	197	287	350
Annual Energy Consumption - HEATING		kWh/a	819	1092	1610	1963
Indoor Unit						
Power supply		Ph/V/Hz	1/230/50	1/230/50	1/230/50	1/230/50
Treated air volume	H/ M / L	m³/h	500	550	900	1200
Dehumidification		l/h	1.2	1.6	2	2.8
High sound power - COOLING		dB	53	55	57	60
High sound power - HEATING		dB	53	55	57	60
Sound pressure - COOLING		dB(A)	37/32/28/20	38/33/29/21	44/40/35/28	47/43/37/30
Sound pressure - HEATING		dB(A)	37/32/28/20	38/33/29/21	44/40/35/28	47/43/37/30
Net dimensions	WxDxH	Mm	820x195x280	820x195x280	1008x225x318	1125x240x335
Net weight		Kg	8.4	8.4	11.6	14.0
Outdoor Unit						
Power supply		Ph/V/Hz	1/230/50	1/230/50	1/230/50	1/230/50
Sound power	H	dB	62	63	65	65
Sound pressure	H	dB(A)	47	48	53	52
Absorbed current		A	5.2	6.7	11.3	13
Net dimensions	WxDxH	Mm	700x245x544	800x275x553	800x275x553	890x353x697
Net weight		Kg	27	27	32.5	51
Compressor type			Inverter rotary			
Compressor brand			Highly			
Installation data						
Refrigerant			R32	R32	R32	R32
Liquid pipe	∅	Mm	6.35	6.35	6.35	6.35
Gas pipe	∅	Mm	9.52	9.52	12.7	12.7
Standard pipe length without refrigerant charge		M	5	5	7	7
Maximum pipe length		M	20	20	25	25
Maximum IU - OU elevation		M	10	10	15	15
Refrigerant charge in the factory		Kg	0.55	0.62	0.90	1.20
CO2 equivalent		tCO2EQ	0.37	0.42	0.61	0.81
Additional charge ref. over std length		g/m	20	20	20	20
Operating limits - COOLING	min-max	°C	16-35°C (in) / -10-43°C (out)			
Operating limits - HEATING	min-max	°C	10-27°C (in) / -15-24°C (out)			

The data in this catalogue is purely indicative as the data may vary. Please be advised to check the accuracy of the data with the supplier before purchasing products.