

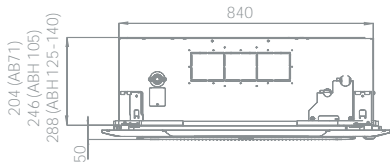
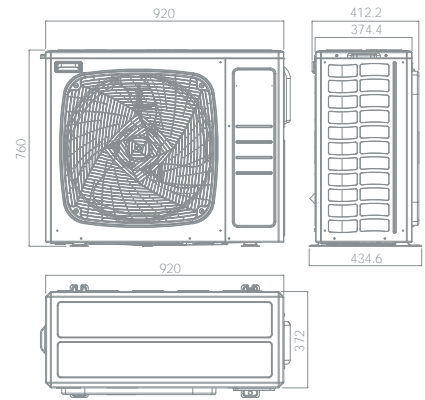
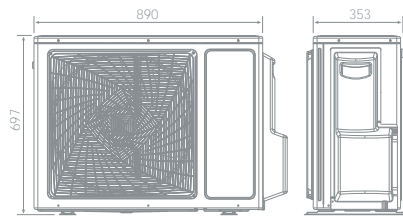
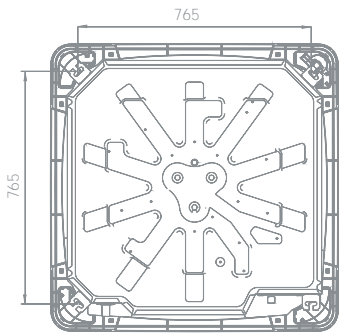
Commercial R32 ROUND FLOW CASSETTE



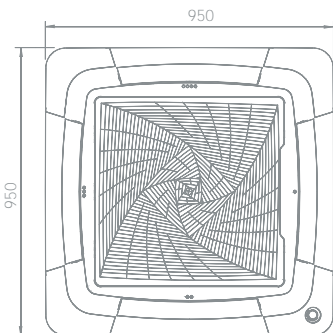
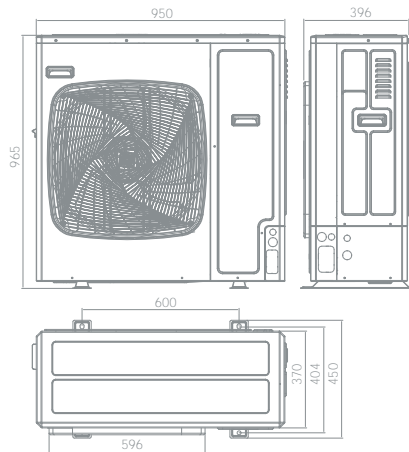
AB71 - ABH105 - ABH125

1U71

1U105



1U125



7,1 kW



10,5 kW



12,5 kW

Commercial R32 ROUND FLOW CASSETTE

Haier



7.1 kW

10.5 kW

12.5 kW

OPTIONAL CONTROL



Quiet



8 ways



Optional Wi-Fi



Fresh Air



Sensor



- Low noise level
- Wi-Fi control (OPTIONAL) to remotely control the air conditioner
- 'Fresh air' knockout is incorporated in the chassis to allow fresh air introduction of up to 20% of nominal unit air flow without compromising the cooling capacity. More than 20% of the air conditioner's thermal cooling capacity is penalise.
- Sensor (OPTIONAL) detects real-time air conditions and movement of people

INDOOR UNIT	Model	AB71S2SG1FA	ABH105H1ERG	ABH105K1ERG	ABH125K1ERG	ABH125K1ERG
PANEL (no sensor)	Model	PB-950KB				
OUTDOOR UNIT	Model	1U71S2SR2FA	1U105S2SS1FA	1U105S2SS1FB	1U125S2SN2FA	1U125S2SN2FB

Performance data							
Output power – COOLING	nom (min-max)	kW	7.1 (2.0 - 7.3)	9.2 (2.5 - 10.0)	9.2 (2.5 - 10.0)	12.3 (3.0 - 13.0)	12.4 (3.0 - 13.0)
Output power - HEATING	nom (min-max)	kW	8.0 (2.5 - 8.0)	10.2 (3.0 - 10.5)	10.2 (3.0 - 10.5)	12.7 (3.5 - 13.5)	12.8 (3.5 - 13.5)
Absorbed power - COOLING	nom (min-max)	kW	2.20 (0.5 - 2.6)	3.12 (0.5 - 4.0)	3.12 (0.5 - 4.0)	4.84 (1.0 - 6.0)	4.81 (1.0 - 6.0)
Absorbed power - HEATING	nom (min-max)	kW	1.91 (0.5 - 2.6)	2.91 (0.5 - 4.0)	2.91 (0.5 - 4.0)	4.44 (1.0 - 6.0)	4.41 (1.0 - 6.0)
Energy class	EER		3.23	3.0	2.94	2.54	2.58
	COP		3.72	3.5	3.51	2.86	2.93
COOLING Pdesign	capacity (35°)	kW	7.1	9.2	9.2	12.3	12.4
HEATING Pdesign	capacity (-10°)	kW	5	7	7.0	8.3	8.3
Energy class	SEER		6.1 (A++)	5.9 (A+)	5.9 (A+)	5.68	5.71
	SCOP		3.8 (A)	3.8 (A)	3.8 (A)	3.93	3.96
Annual Energy Consumption - COOLING		kWh/y	406	555	555	740	736
Annual Energy Consumption - HEATING		kWh/y	1831	2780	2780	3032	3003

Indoor Unit							
Power supply		Ph-V-Hz	1/220-240/50/60	1/220-240/50/60	1/220-240/50/60	1/220-240/50/60	1/220-240/50/60
Treated air volume	H / M / L	m³/h	1260/1070/820/680	1680/1530/1320/1190	1680/1530/1320/1190	1950/1600/1440/1200	1950/1600/1440/1200
Sound power		dB	55	62	62	64	64
Sound pressure		dB(A)	42/40/38/35	45/42/38/34	45/42/38/34	47/44/38/34	47/44/38/34
Dimensions	WxDxH	mm	840x840x204	840x840x246	840x840x246	840x840x288	840x840x288
Net weight		Kg	27	31	31	32	32
Panel dimensions	WxDxH	mm	950x950x50	950x950x50	950x950x50	950x950x50	950x950x50
Panel net weight		Kg	6.5	6.5	6.5	6.5	6.5

Outdoor Unit							
Power supply		Ph-V-Hz	1/220-240/50	1/220-240/50/60	3/380-415/50/60	1/220-240/50/60	3/380-415/50/60
Sound power		dB	67	66	66	72	72
Sound pressure		dB(A)	54	53	53	58	58
Dimensions	WxDxH	mm	890x353x697	920x372x760	920x372x760	950x370x965	950x370x965
Net weight		Kg	45	65	61	89	90
Compressor type			Inverter twin rotary				
Compressor brand			Mitsubishi				

Installation data							
Refrigerant			R32	R32	R32	R32	R32
Liquid pipe	∅	mm	9.52	9.52	9.52	9.52	9.52
Gas pipe	∅	mm	15.88	15.88	15.88	15.88	15.88
Standard pipe length without refrigerant charge		m	10	30	30	30	30
Maximum pipe length		m	50	50	50	70	70
Refrigerant charge in the factory		Kg	1.3	1.5	30	30	30
Maximum IU - OU elevation		m	30	30	1.5	2.3	2.3
Equivalent tons of CO ₂		kg/tCO ₂ EQ	0.88	0.87	1.01	1.55	1.55
Additional charge ref. beyond std. length		g/m	45	45		45	45
Operating limits - COOLING	min-max	°C	(-10°C) - (46°C)				
Operating limits - HEATING	min-max	°C	(-15°C) - (24°C)				

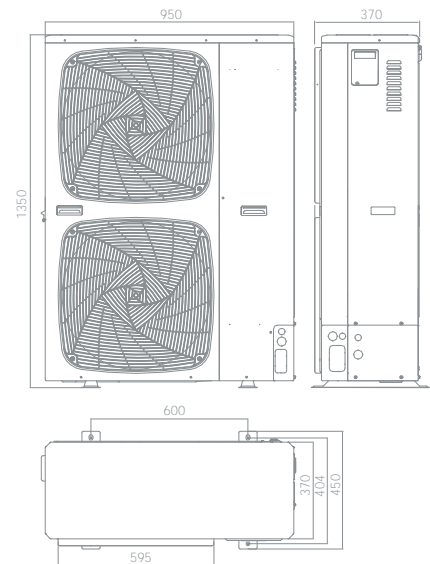
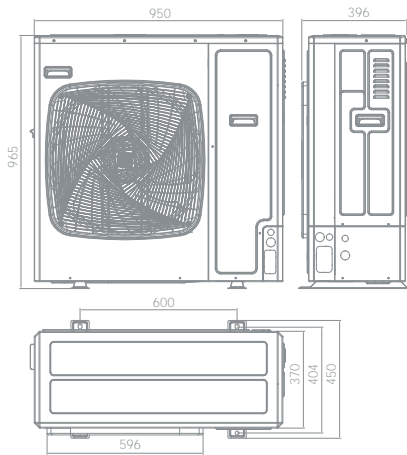
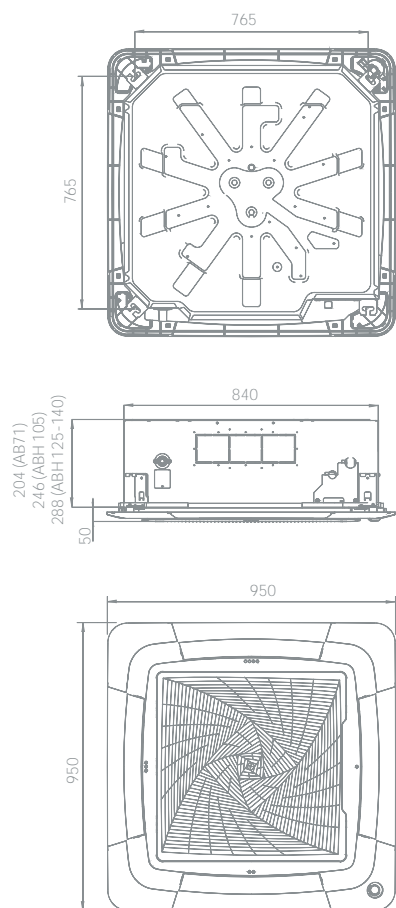
Commercial R32 ROUND FLOW CASSETTE



ABH140 - ABH160

1U140

1U140 - 1U160



NEW



NEW



Commercial R32 ROUND FLOW CASSETTE

Haier

14.0 kW

16.0 kW

OPTIONAL CONTROL



Quiet



8 ways



Optional Wi-Fi



Fresh Air



Sensor



- Low noise level
- Wi-Fi control (OPTIONAL) to remotely control the air conditioner
- 'Fresh air' knockout is incorporated in the chassis to allow fresh air introduction of up to 20% of nominal unit air flow without compromising the cooling capacity. More than 20% of the air conditioner's thermal cooling capacity is penalise.
- Sensor (OPTIONAL) detects real-time air conditions and movement of people

INDOOR UNIT	Model	ABH140K1ERG	ABH140K1ERG	ABH140K1ERG	ABH140K1ERG	ABH160K1ERG
PANEL (sensor)	Model	PB-950KB				
OUTDOOR UNIT	Model	1U140S2SN1FA	1U140S2SN1FB	1U140S2SP2FA	1U140S2SP2FB	1U160S2SP1FB

Performance data

			13.4 (3.5 - 14.0)	13.4 (3.5 - 14.0)	13.6 (4.0 - 15.0)	13.6 (4.0 - 15.0)	15.0 (4.5 - 16.0)
Output power - COOLING	nom (min-max)	kW	13.4 (3.5 - 14.0)	13.4 (3.5 - 14.0)	13.6 (4.0 - 15.0)	13.6 (4.0 - 15.0)	15.0 (4.5 - 16.0)
Output power - HEATING	nom (min-max)	kW	15.0 (4.0 - 15.5)	15.0 (4.0 - 15.5)	15.0 (4.5 - 16.0)	15.0 (4.5 - 16.0)	16 (5.0 - 17.0)
Absorbed power - COOLING	nom (min-max)	kW	5.51 (1.0 - 6.5)	5.28 (1.0 - 6.5)	4.86 (1.0 - 6.0)	4.98 (1.0 - 6.0)	5.03 (1.0 - 6.5)
Absorbed power - HEATING	nom (min-max)	kW	5.77 (1.0 - 6.5)	5.70 (1.0 - 6.5)	4.75 (1.0 - 6.0)	4.67 (1.0 - 6.0)	5.26 (1.0 - 6.5)
Energy class	EER		2.43	2.54	2.80	2.73	2.98
	COP		2.60	2.63	3.10	3.06	3.04
COOLING Pdesign	capacity (35°)	kW	13.4	13.4	13.6	13.6	15.0
HEATING Pdesign	capacity (-10°)	kW	8.5	8.5	10.0	10.0	11.0
Energy class	SEER		5.60	5.62	5.70	5.70	5.96
	SCOP		3.93	3.94	3.94	3.99	3.99
Annual Energy Consumption - COOLING		kWh/y	838	834	800	782	880
Annual Energy Consumption - HEATING		kWh/y	3032	3003	3768	3748	3859

Indoor Unit

		Ph-V-Hz	1/220-240/50/60	1/220-240/50/60	1/220-240/50/60	1/220-240/50/60	1/220-240/50/60
Power supply		Ph-V-Hz	1/220-240/50/60	1/220-240/50/60	1/220-240/50/60	1/220-240/50/60	1/220-240/50/60
Treated air volume	H / M / L	m³/h	1950/1600/1440/1200	1950/1600/1440/1200	1950/1600/1440/1200	1950/1600/1440/1200	2050/1600/1440/1220
Sound power		dB	64	64	64	64	65
Sound pressure		dB(A)	47/44/38/34	47/44/38/34	47/44/38/34	47/44/38/34	48/44/38/34
Dimensions	WxDxH	mm	840x840x288	840x840x288	840x840x288	840x840x288	840x840x288
Net weight		Kg	32	32	32	32	32
Panel dimensions	WxDxH	mm	950x950x50	950x950x50	950x950x50	950x950x50	950x950x50
Panel net weight		Kg	6.5	6.5	6.5	6.5	6.5

Outdoor Unit

		Ph-V-Hz	1/220-240/50/60	3/380-415/50/60	1/220-240/50/60	3/380-415/50/60	3/380-415/50/60
Power supply		Ph-V-Hz	1/220-240/50/60	3/380-415/50/60	1/220-240/50/60	3/380-415/50/60	3/380-415/50/60
Sound power		dB	72	72	70	72	72
Sound pressure		dB(A)	58	58	53	58	58
Dimensions	WxDxH	mm	950x370x965	950x370x965	950x370x1350	950x370x1350	950x370x1350
Net weight		Kg	89	90	105	101	101
Compressor type			Inverter twin rotary				
Compressor brand			Mitsubishi				

Installation data

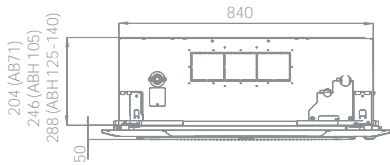
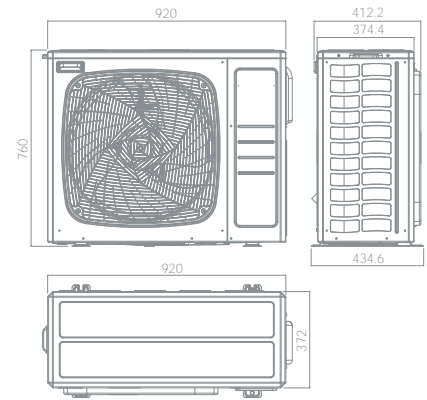
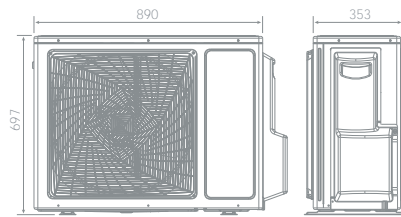
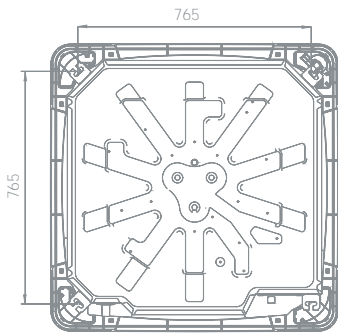
			R32	R32	R32	R32	R32
Refrigerant			R32	R32	R32	R32	R32
Liquid pipe	∅	mm	9.52	9.52	9.52	9.52	9.52
Gas pipe	∅	mm	15.88	15.88	15.88	15.88	19.05
Standard pipe length without refrigerant charge		m	30	30	30	30	30
Maximum pipe length		m	70	70	75	70	70
Refrigerant charge in the factory		Kg	30	30	30	30	30
Maximum IU - OU elevation		m	2.3	2.3	2.9	3.5	3.5
Equivalent tons of CO ₂		kg/tCO ₂ EQ	1.55	1.55	1.9	1.9	1.9
Additional charge ref. beyond std. length		g/m	45	45	45	45	45
Operating limits - COOLING	min-max	°C	(-10°C) - (46°C)			(-10°C) - (50°C)	
Operating limits - HEATING	min-max	°C	(-15°C) - (24°C)		(-20°C) - (24°C)	(-15°C) - (24°C)	



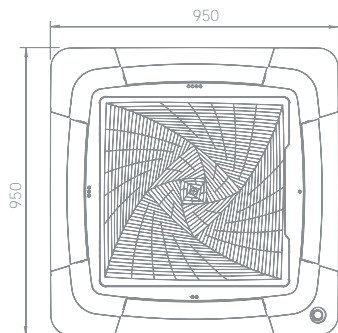
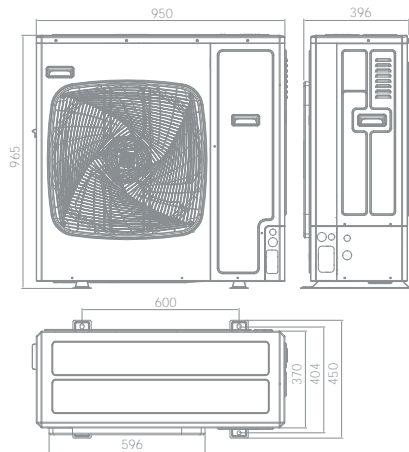
AB71 - ABH105 - ABH125

1U71

1U105



1U125



7,1 kW



10,5 kW



12,5 kW

Commercial R32 ROUND FLOW CASSETTE (SENSOR)

Haier



7.1 kW

10.5 kW

12.5 kW

SENSOR

OPTIONAL CONTROL



Quiet



8 ways (4 independent)



Optional Wi-Fi



Fresh Air



Sensor



- Low noise level
- Wi-Fi control (OPTIONAL) to remotely control the air conditioner
- 'Fresh air' knockout is incorporated in the chassis to allow fresh air introduction of up to 20% of nominal unit air flow without compromising the cooling capacity. More than 20% of the air conditioner's thermal cooling capacity is penalise.
- Sensor detects air conditions and movement of people in real time

INDOOR UNIT	Model		AB71S2SG1FA	ABH105H1ERG	ABH105K1ERG	ABH125K1ERG	ABH125K1ERG	
PANEL (no sensor)	Model				PB-950KB			
OUTDOOR UNIT	Model		1U71S2SR2FA	1U105S2SS1FA	1U105S2SS1FB	1U125S2SN2FA	1U125S2SN2FB	
Performance data								
Output power – COOLING	nom (min-max)	kW	7.1 (2.0 - 7.3)	9.2 (2.5 - 10.0)	9.2 (2.5 - 10.0)	12.3 (3.0 - 13.0)	12.4 (3.0 - 13.0)	
Output power - HEATING	nom (min-max)	kW	8.0 (2.5 - 8.0)	10.2 (3.0 - 10.5)	10.2 (3.0 - 10.5)	12.7 (3.5 - 13.5)	12.8 (3.5 - 13.5)	
Absorbed power - COOLING	nom (min-max)	kW	2.20 (0.5 - 2.6)	3.12 (0.5 - 4.0)	3.12 (0.5 - 4.0)	4.84 (1.0 - 6.0)	4.81 (1.0 - 6.0)	
Absorbed power - HEATING	nom (min-max)	kW	1.91 (0.5 - 2.6)	2.91 (0.5 - 4.0)	2.91 (0.5 - 4.0)	4.44 (1.0 - 6.0)	4.41 (1.0 - 6.0)	
Energy class	EER		3.23	3.0	2.94	2.54	2.58	
	COP		3.72	3.5	3.51	2.86	2.93	
COOLING Pdesign	capacity (35°)	kW	7.1	9.2	9.2	12.3	12.4	
HEATING Pdesign	capacity (-10°)	kW	5	7	7.0	8.3	8.3	
Energy class	SEER		6.1 (A++)	5.9 (A+)	5.9 (A+)	5.68	5.71	
	SCOP		3.8 (A)	3.8 (A)	3.8 (A)	3.93	3.96	
Annual Energy Consumption - COOLING		kWh/y	406	555	555	740	736	
Annual Energy Consumption - HEATING		kWh/y	1831	2780	2780	3032	3003	
Indoor Unit								
Power supply		Ph-V-Hz	1/220-240/50/60	1/220-240/50/60	1/220-240/50/60	1/220-240/50/60	1/220-240/50/60	
Treated air volume	H / M / L	m³/h	1260/1070/820/680	1680/1530/1320/1190	1680/1530/1320/1190	1950/1600/1440/1200	1950/1600/1440/1200	
Sound power		dB	55	62	62	64	64	
Sound pressure		dB(A)	42/40/38/35	45/42/38/34	45/42/38/34	47/44/38/34	47/44/38/34	
Dimensions	WxDxH	mm	840x840x204	840x840x246	840x840x246	840x840x288	840x840x288	
Net weight		Kg	27	31	31	32	32	
Panel dimensions	WxDxH	mm	950x950x50	950x950x50	950x950x50	950x950x50	950x950x50	
Panel net weight		Kg	6.5	6.5	6.5	6.5	6.5	
Outdoor Unit								
Power supply		Ph-V-Hz	1/220-240/50	1/220-240/50/60	3/380-415/50/60	1/220-240/50/60	3/380-415/50/60	
Sound power		dB	67	66	66	72	72	
Sound pressure		dB(A)	54	53	53	58	58	
Dimensions	WxDxH	mm	890x353x697	920x372x760	920x372x760	950x370x965	950x370x965	
Net weight		Kg	45	65	61	89	90	
Compressor type					Inverter twin rotary			
Compressor brand					Mitsubishi			
Installation data								
Refrigerant			R32	R32	R32	R32	R32	
Liquid pipe	Ø	mm	9.52	9.52	9.52	9.52	9.52	
Gas pipe	Ø	mm	15.88	15.88	15.88	15.88	15.88	
Standard pipe length without refrigerant charge		m	10	30	30	30	30	
Maximum pipe length		m	50	50	50	70	70	
Refrigerant charge in the factory		Kg	1.3	1.5	30	30	30	
Maximum IU - OU elevation		m	30	30	1.5	2.3	2.3	
Equivalent tons of CO ₂		kg/tCO ₂ EQ	0.88	0.87	1.01	1.55	1.55	
Additional charge ref. beyond std. length		g/m	45	45	45	45	45	
Operating limits - COOLING	min-max	°C	(-10°C) - (46°C)					
Operating limits - HEATING	min-max	°C	(-15°C) - (24°C)					

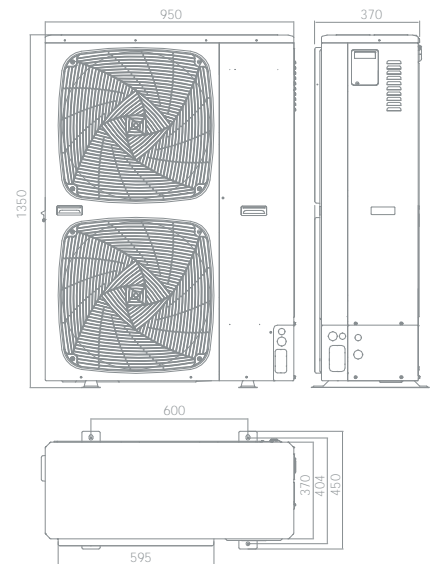
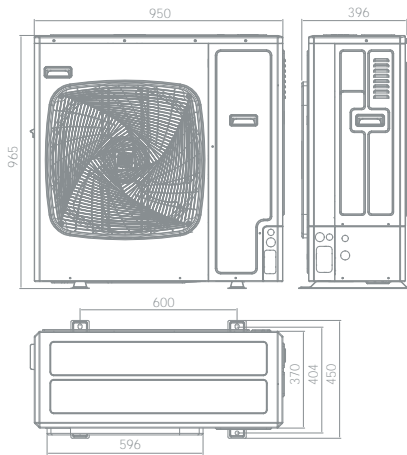
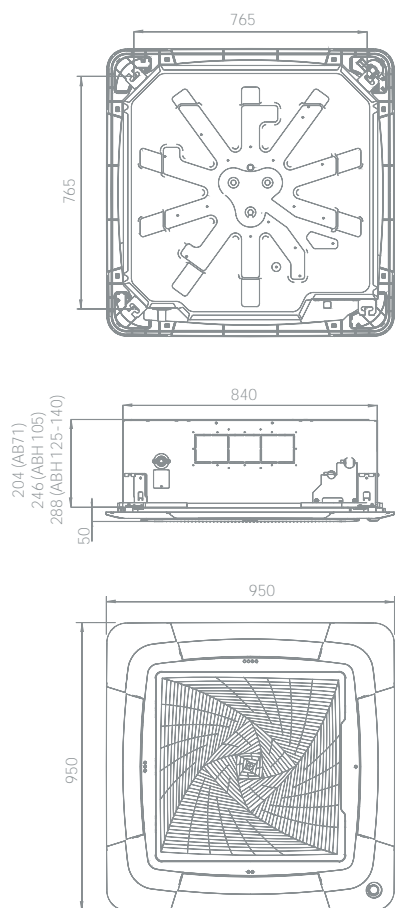
Commercial R32 ROUND FLOW CASSETTE (SENSOR)



ABH140 - ABH160

1U140

1U140 - 1U160



NEW



NEW



Commercial R32 ROUND FLOW CASSETTE (SENSOR)

Haier

14.0 kW

16.0 kW

SENSOR

OPTIONAL CONTROL



Quiet



8 ways (4 independent)



Optional Wi-Fi



Fresh Air



Sensor



- Low noise level
- Wi-Fi control (OPTIONAL) to remotely control the air conditioner
- 'Fresh air' knockout is incorporated in the chassis to allow fresh air introduction of up to 20% of nominal unit air flow without compromising the cooling capacity. More than 20% of the air conditioner's thermal cooling capacity is penalise.
- Sensor detects air conditions and movement of people in real time

INDOOR UNIT	Model		ABH140K1ERG	ABH140K1ERG	ABH140K1ERG	ABH140K1ERG	ABH160K1ERG	
PANEL (sensor)	Model		PB-950MB					
OUTDOOR UNIT	Model		1U140S2SN1FA	1U140S2SN1FB	1U140S2SP2FA	1U140S2SP2FB	1U160S2SP1FB	
Performance data								
Output power – COOLING	nom (min-max)	kW	13.4 (3.5 - 14.0)	13.4 (3.5 - 14.0)	13.6 (4.0 - 15.0)	13.6 (4.0 - 15.0)	15.0 (4.5 - 16.0)	
Output power - HEATING	nom (min-max)	kW	15.0 (4.0 - 15.5)	15.0 (4.0 - 15.5)	15.0 (4.5 - 16.0)	15.0 (4.5 - 16.0)	16 (5.0 - 17.0)	
Absorbed power - COOLING	nom (min-max)	kW	5.51 (1.0 - 6.5)	5.28 (1.0 - 6.5)	4.86 (1.0 - 6.0)	4.98 (1.0 - 6.0)	5.03 (1.0 - 6.5)	
Absorbed power - HEATING	nom (min-max)	kW	5.77 (1.0 - 6.5)	5.70 (1.0 - 6.5)	4.75 (1.0 - 6.0)	4.67 (1.0 - 6.0)	5.26 (1.0 - 6.5)	
Energy class	EER		2.43	2.54	2.80	2.73	2.98	
	COP		2.60	2.63	3.10	3.06	3.04	
COOLING Pdesign	capacity (35°)	kW	13.4	13.4	13.6	13.6	15.0	
HEATING Pdesign	capacity (-10°)	kW	8.5	8.5	10.0	10.0	11.0	
Energy class	SEER		5.60	5.62	5.70	5.70	5.96	
	SCOP		3.93	3.94	3.94	3.99	3.99	
Annual Energy Consumption - COOLING		kWh/y	838	834	800	782	880	
Annual Energy Consumption - HEATING		kWh/y	3032	3003	3768	3748	3859	
Indoor Unit								
Power supply		Ph-V-Hz	1/220-240/50/60	1/220-240/50/60	1/220-240/50/60	1/220-240/50/60	1/220-240/50/60	
Treated air volume	H / M / L	m³/h	1950/1600/1440/1200	1950/1600/1440/1200	1950/1600/1440/1200	1950/1600/1440/1200	2050/1600/1440/1220	
Sound power		dB	64	64	64	64	65	
Sound pressure		dB(A)	47/44/38/34	47/44/38/34	47/44/38/34	47/44/38/34	48/44/38/34	
Dimensions	WxDxH	mm	840x840x288	840x840x288	840x840x288	840x840x288	840x840x288	
Net weight		Kg	32	32	32	32	32	
Panel dimensions	WxDxH	mm	950x950x50	950x950x50	950x950x50	950x950x50	950x950x50	
Panel net weight		Kg	6.5	6.5	6.5	6.5	6.5	
Outdoor Unit								
Power supply		Ph-V-Hz	1/220-240/50/60	3/380-415/50/60	1/220-240/50/60	3/380-415/50/60	3/380-415/50/60	
Sound power		dB	72	72	70	72	72	
Sound pressure		dB(A)	58	58	53	58	58	
Dimensions	WxDxH	mm	950x370x965	950x370x965	950x370x1350	950x370x1350	950x370x1350	
Net weight		Kg	89	90	105	101	101	
Compressor type			Inverter twin rotary					
Compressor brand			Mitsubishi					
Installation data								
Refrigerant			R32	R32	R32	R32	R32	
Liquid pipe	∅	mm	9.52	9.52	9.52	9.52	9.52	
Gas pipe	∅	mm	15.88	15.88	15.88	15.88	19.05	
Standard pipe length without refrigerant charge		m	30	30	30	30	30	
Maximum pipe length		m	70	70	75	70	70	
Refrigerant charge in the factory		Kg	30	30	30	30	30	
Maximum IU - OU elevation		m	2.3	2.3	2.9	3.5	3.5	
Equivalent tons of CO ₂		kg/tCO ₂ EQ	1.55	1.55	1.9	1.9	1.9	
Additional charge ref. beyond std. length		g/m	45	45	45	45	45	
Operating limits - COOLING	min-max	°C	(-10°C) - (46°C)			(-10°C) - (50°C)		
Operating limits - HEATING	min-max	°C	(-15°C) - (24°C)		(-20°C) - (24°C)		(-15°C) - (24°C)	