



THE PANEL KIT (OPTIONAL) INCLUDES:

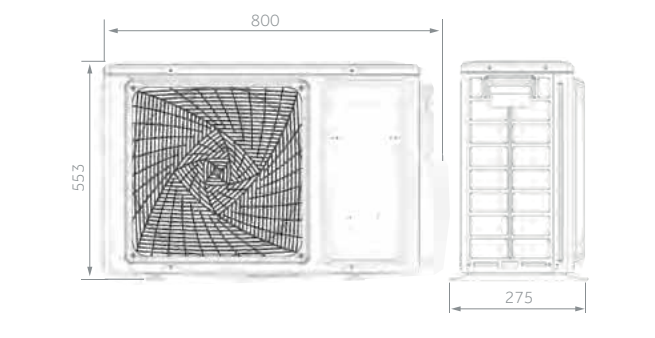
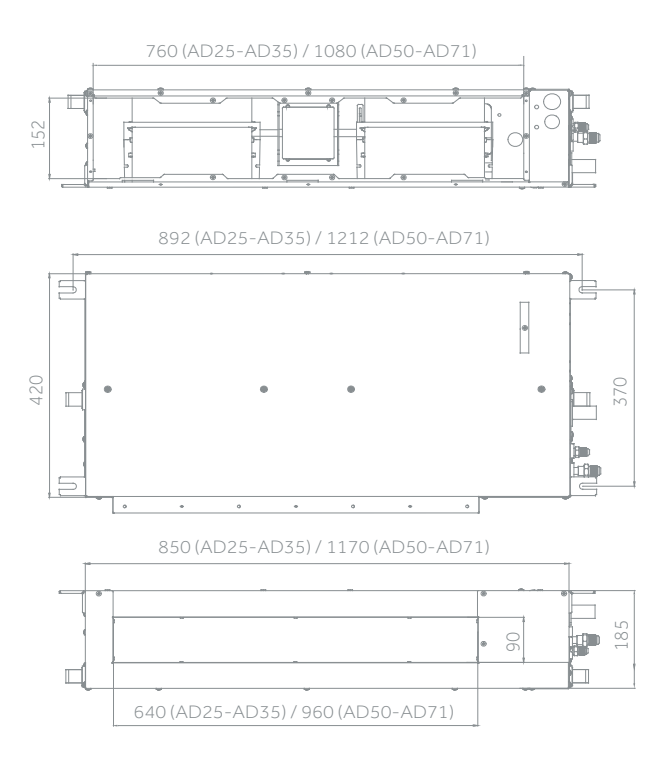
Air supply grill equipped with vertical and horizontal fins motorised 3D effect - receiver - display

Air intake grill equipped with filter

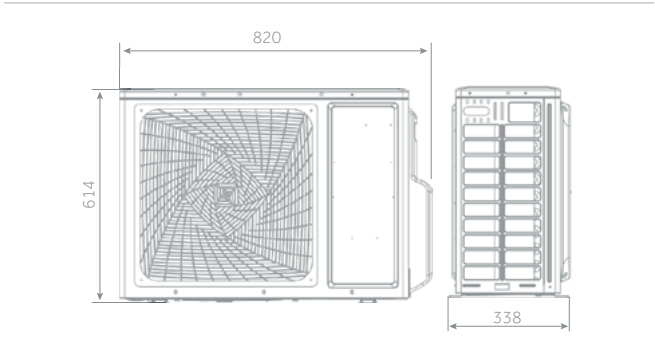


AD35 - AD50 - AD71

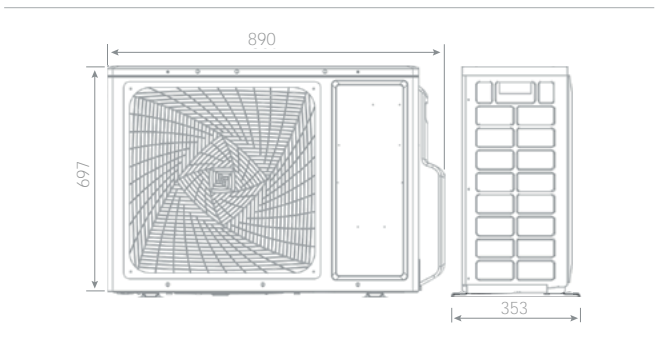
1U35



1U50



1U71



Commercial R32 SLIM DUCTED LOW PRESSURE

Haier

3.5 kW

5.0 kW

7.1 kW

OPTIONAL CONTROL



Silence



Compact design



3D



Condensate drain pump



Flexible installation



AD71S2SS1FA

- Low noise level
- Compact design
- Panel kit (OPTIONAL): air supply and intake grill
- Condensate drain pump
- Flexible installation

INDOOR UNIT		Model	AD35S2SS1FA	AD50S2SS1FA	AD71S2SS1FA
OUTDOOR UNIT		Model	1U35S2SM1FA	1U50S2SJ2FA	1U71S2SR2FA
Performance data					
Output power – COOLING	nom (min-max)	kW	3.50 (0.9 - 4.5)	5.0 (1.8 - 6.0)	7.1 (2.0 - 7.6)
Output power - HEATING	nom (min-max)	kW	4.0 (1.0 - 4.8)	5.5 (2.0 - 6.2)	7.5 (3.0 - 8.3)
Absorbed power - COOLING	nom (min-max)	kW	1.03 (0.28 - 1.8)	1.53 (0.55 - 2.1)	2.20 (0.5-3.0)
Absorbed power - HEATING	nom (min-max)	kW	1.07 (0.28 - 1.8)	1.47 (0.6 - 2.1)	2.01 (0.6 - 2.9)
Energy class	EER	w/w	3.30	3.26	3.24
	COP	w/w	3.73	3.73	3.73
COOLING Pdesign	35 °C	kW	3.5	5	7.1
HEATING Pdesign	(-10 °C)	kW	3	4.3	5.0
Energy class	SEER		6.1 (A++)	6.1 (A++)	6.1 (A++)
	SCOP		3.8 (A)	3.8 (A)	3.8 (A)
Annual Energy Consumption - COOLING		kWh/y	241	315	406
Annual Energy Consumption - HEATING		kWh/y	1427	1961	1836
Indoor Unit					
Power supply		Ph/V/Hz	1/220-240/50/60	1/220-240/50/60	1/220-240/50/60
Treated air volume	H / M / L	m³/h	600/480/420	900/750/600	1000/850/750
Dehumidification		L/h	1.0	1.9	2.5
Static pressure		Pa	0/10/20/40	0/10/20/40	0/10/20/40
High sound power - COOLING		dB	53	54	57
High sound power - HEATING		dB	53	54	57
Sound pressure - COOLING		dB(A)	33/28/25	36/34/32	49/46/44/42
Sound pressure - HEATING		dB(A)	33/28/25	36/34/32	38/35/33
Net dimensions	WxDxH	mm	850x420x185	1170x420x185	1170x420x185
Net weight		Kg	16	22	25.2
Panel kit (optional)			P1B-890IA/D	P1B-1210IA/D	P1B-1210IA/D
Net dimensions	WxDxH	mm	890x100x190 (Outlet grill)	1210x100x190 (Outlet grill)	1210x100x190 (Outlet grill)
			890x33,5x291 (Inlet grill)	1210x33,5x291 (Inlet grill)	1210x33,5x291 (Inlet grill)
Net weight		Kg	4	4	5
Outdoor Unit					
Power supply		Ph/V/Hz	1/220-240/50	1/220-240/50	1/220-240/50/60
Sound power	H	dB	61	63	67
Sound pressure	H	dB(A)	48	51	54
Absorbed current	max	A	7.2	10.9	13.1
Net dimensions	WxDxH	mm	800x275x553	820x338x614	890x353x697
Net weight		Kg	31.5	37.8	45
Compressor type				Inverter rotary	
Compressor brand				Mitsubishi	
Installation data					
Refrigerant			R32	R32	R32
Liquid pipe	∅	mm	6.35	6.35	9.52
Gas pipe	∅	mm	9.52	12.7	15.88
Standard pipe length without refrigerant charge		m	7	7	10
Maximum pipe length		m	15	25	50
Maximum IU - OU elevation		m	10	15	30
Refrigerant charge in the factory		Kg	0.94	0.95	1.30
Equivalent tons of CO ₂		kg/tCO ₂ EQ	0.66	0.66	0.88
Additional charge ref. beyond std. length		g/m	20	20	45
Operating limits - COOLING	min-max	°C	21-35°C (in) / -10-43°C (out)		21-35°C (in) / -10-46°C (out)
Operating limits - HEATING	min-max	°C	10-27°C (in) / -15-24°C (out)		10-27°C (in) / -15-24°C (out)